

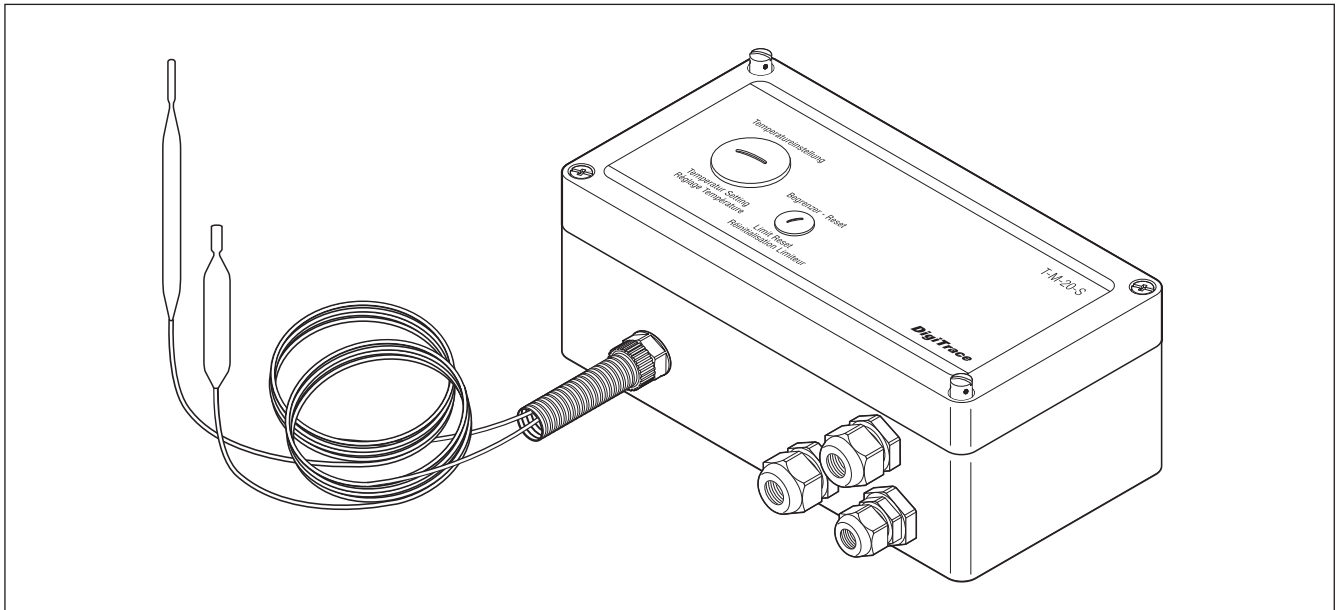
Surface sensing Thermostat with limiter

A surface sensing thermostat providing temperature control and temperature limiter in safe areas. The high limit cut out prevents the heating system exceeding a preset maximum temperature should the control function fail to operate or an unsafe process temperature occur.

Temperature set point adjustment and limiter reset can be completed, without opening the enclosure, via removable plugs in the lid.

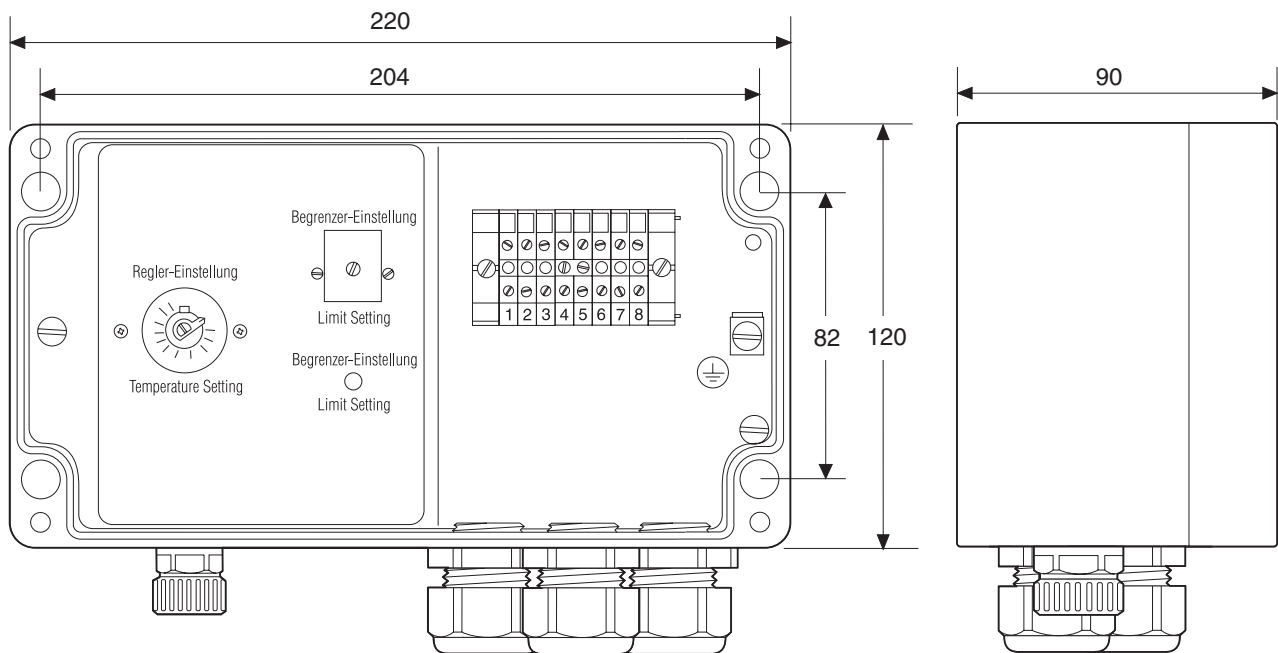
Both 2 meter long stainless steel fluid filled bulb and capillary are protected at the enclosure by a flexible conduit.

Direct connection of the heating cable is possible. The thermostat is available in 3 temperature ranges. 0–50°C; 0–200°C; 50–300°C.



		T-M-20-S/0+50C	T-M-20-S/0+200C	T-M-20-S/+50+300C
General				
Area of use		Ordinary area	Ordinary area	Ordinary area
Product specification				
Max rated voltage (nom)		230 VAC	230 VAC	230 VAC
Temperature setting	Controller	0°C +50°C	0°C +200°C	+50°C +300°C
	Limiter	+20°C +150°C	+130°C +200°C	+20°C +400°C
Switching type		Single pole change over (SPDT) 100,000 cycles at 16A (controller) 500 cycles at 10A (limiter)		
Switching cap	Controller	Max 16A at 230 VAC	Max 16A at 230 VAC	Max 16A at 230 VAC
	Limiter	Max 10A at 230 VAC	Max 10A at 230 VAC	Max 10A at 230 VAC
Breaking capacity	Controller	3700 VA	3700 VA	3700 VA
	Limiter	2300 VA	2300 VA	2300 VA
Hysteresis / Differential		2.5 % of temperature range	2.5 % of temperature range	2.5 % of temperature range
Accuracy		±0.5% of setpoint in upper third of temperature range (at 22°C ambient)		
Setting		Internal dial, through lid	Internal dial, through lid	Internal dial, through lid
Terminal size		4 mm ²	4 mm ²	4 mm ²
Ambient operating temp. range		-20°C +80°C	-20°C +80°C	-20°C +80°C

Dimensions in mm



	T-M-20-S/0+50C	T-M-20-S/0+200C	T-M-20-S/+50+300C
Output parameters			
Control relay	Change-over switch (SPDT)		
Limiter relay	Change-over switch with possibility for external alarm (SPDT)		
Enclosure			
Protection	IP65	IP65	IP65
Dimension	222 x 120 x 90 mm	222 x 120 x 90 mm	222 x 120 x 90 mm
Materials body and lid	Grey, polyester enclosure	Grey, polyester enclosure	Grey, polyester enclosure
Lid fixing	4 captive screws, stainless steel		
Entries	3 entries: 1 x M25 reducer M25/M20 incl. M20 gland (Ø 8–13 mm) 1 x M20 gland (Ø 8–13 mm) 1 x M20 gland (Ø 8–13 mm)		
Temperature sensor			
Type	Fluid filled capillary, 2 meter long		
Dimensions:	Controller	Ø: 8 mm	8 mm
	length sensing element:	166 mm	78 mm
	Limiter	Ø: 6 mm	6 mm
	length sensing element:	80 mm	78 mm
Material	V4A Stainless Steel		
Exposure temperature:	Controller	-40°C +60°C	-20°C +230°C
	Limiter	-40°C +170°C	-20°C +230°C
Minimum bending radius	10 mm for capillary (not for sensor)		
Mounting method			
Support bracket	SB-120 or surface mount		

Ordering details

Ordering references:	PN Number:	Weight:
T-M-20-S/0+50C	260448-000	525 g
T-M-20-S/0+200C	750502-000	525 g
T-M-20-S/+50+300C	608706-000	525 g

Meaning of reference: T-M-20-S/+x+y

T= thermostat

M= mechanical thermostat

20= control thermostat + limiter

S= surface sensing

x= min temperature of control range

y= max temperature of control range

Connection details

