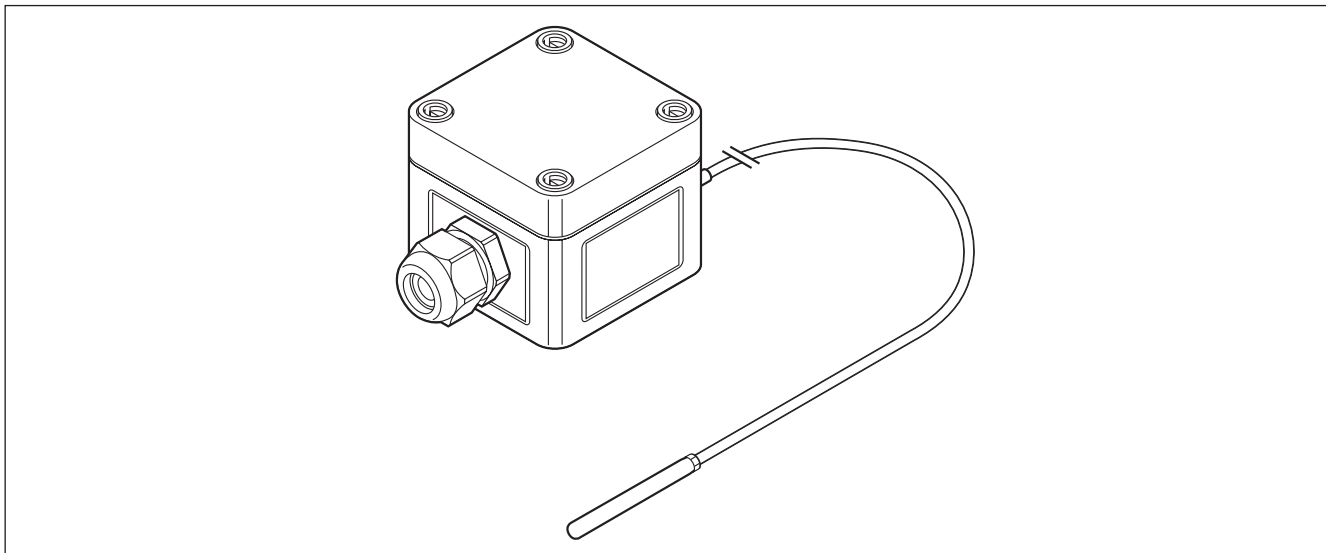


## Temperature sensor for ordinary area

2 wire Pt 100 sensor with glass fiber reinforced polycarbonate junction box for installation in ordinary area.



<b>Area of use</b>	<b>Ordinary area</b>
Approvals	NA
<b>Sensor</b>	
Type	Pt 100 (2 wire) DIN IEC 751, Class B
Material	Tip: stainless steel Extension cable: silicone
Temperature measuring range	-50°C to +180°C
Temperature range extension cable	-50°C to +180°C (+215°C maximum 1000 hrs), max. exposure temp. tip: +400°C
Length	2 m
Diameter	Extension cable ca 4.6 mm, tip ca 6.0 mm
Minimum bending radius	Extension cable: 5 mm, the measuring tip should not be bent
<b>Enclosure</b>	
Ingress protection	IP66
Material	Glass fiber reinforced polycarbonate (gray)
Dimensions	With = 65 mm Height = 65 mm Depth = 57 mm
Cable gland	M20 (polyamide) suitable for cable diameters ranging from 10 mm to 14 mm
Operating temperature	-30°C to +80°C
Lid sealing gasket material	CFC-free Polyurethane
Cover screws	Plastic
Mounting	For pipe mount use JB-SB-26 wall mount Surface mount via molded holes at 50 x 50 mm
<b>Installation and connection</b>	
Terminals	3 front entry cage clamp terminals (terminals 2 and 3 are bridged)
Terminal sizing	Terminals suitable for cables from 0.15 mm to 2.5 mm <sup>2</sup>
<b>Ordering details</b>	
Part Description	MONI-PT100-NH
PN	140910-000