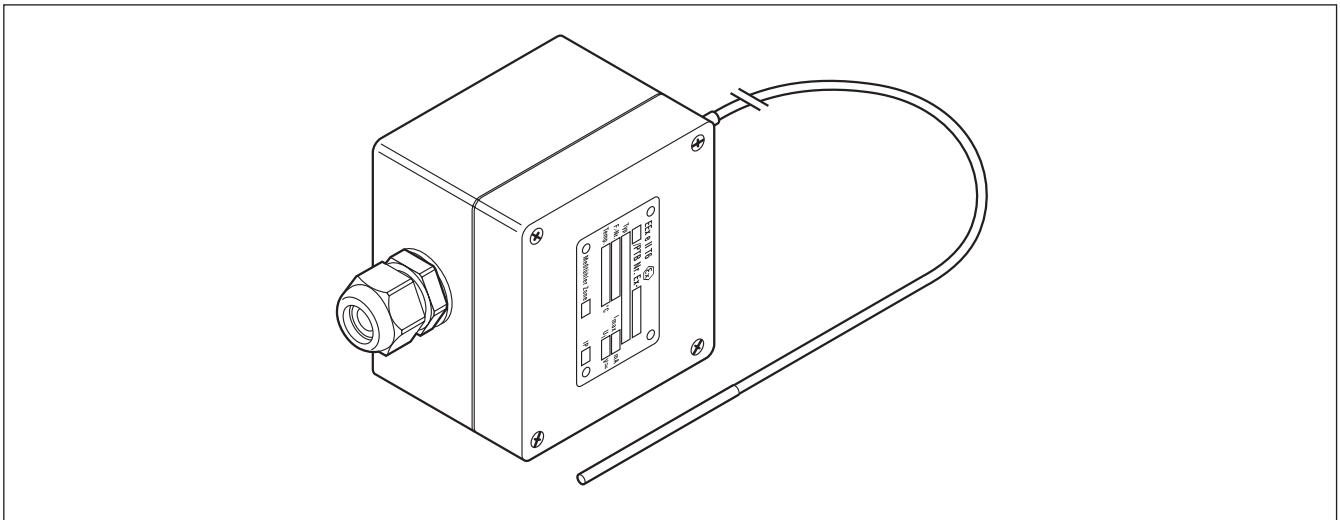


Ex Temperature sensor for hazardous areas
(Zone 1/ zone 2 or safe area)

3 wire Pt 100 sensor connected to a black glass fiber reinforced polyester junction box with 4 front entry cage clamp terminals. M20 EEx e cable gland preinstalled.



Area of use	Hazardous environment Zone I
Approvals	Baseefa03ATEX0697X Ex II 2 G/D T=85°C EEx e II T6 (Ta -50°C to +55°C)
Sensor	
Type	Pt 100 (3 wire) DIN IEC 751, Class B.
Material	extension cable and tip both stainless steel (MI).
Temperature measuring range	-100°C to +500°C
Maximum exposure temp. tip	+585°C
Length	2 m
Diameter	ca 3 mm
Minimum bending radius	extension cable: 20 mm, the measuring tip should not be bent
Enclosure	
Material	Glass fiber reinforced polyester (black)
Ingress protection	IP66
Dimensions	With = 80 mm Height = 75 mm Depth = 55 mm
Cable entry	M20 (EEx e) suitable for cable diameters ranging from 10 mm to 14 mm
Operating temperature	-50°C to +55°C
Sealing gasket material	tongue and groove system with silicone seal
Cover screws	Stainless steel M4 threaded
Mounting	For pipe mount use JB-SB-26 wall mount Surface mount via molded holes at 68 x 45 mm
Installation and connection	
Terminals	4 front entry cage clamp terminals
Terminal sizing	suitable for cables from 0.5 mm ² to 2.5 mm ²
Ordering details	
Part Description	MONI-PT100-EXE
PN	967094-000