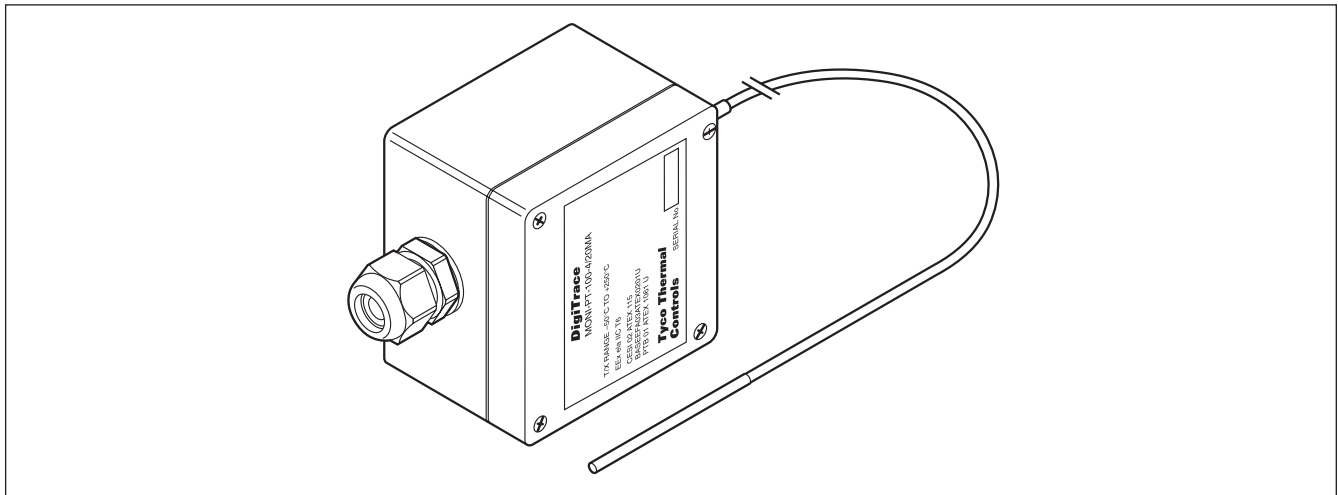


Ex 3 Wire Pt 100 sensor with 4 to 20 mA transmitter for hazardous area (Zone 1)

Pt 100 sensor connected to a 4-20 mA transmitter built in a black glass fiber reinforced polyester junction box with M20 cable gland (Blue).



Area of use	Hazardous environment Zone I
Approvals	CESI 02 ATEX 115, Ex II 1G EEx eia IIC T6 CE 0722 Baseefa03ATEX0201U, Ex II 2G EEx eII CE 1180 PTB 01 ATEX 1061U, Ex II 2G EEx eII T6 CE 0123
Sensor	
Type	Pt 100 (3 wire) DIN IEC 751, Class B.
Material	extension cable and tip both stainless steel (MI).
Temperature measuring range:	-50°C to +250°C (transmitter)
Maximum exposure temp. tip	+585°C
Length	2 m.
Diameter	ca 3 mm
Minimum bending radius	extension cable: 20 mm, the measuring tip should not be bent
Enclosure	
Ingress protection	IP66
Material	Glass fiber reinforced polyester (black)
Dimensions	Width = 80 mm Heigth = 75 mm Depth = 55 mm
Cable gland	M20, blue (EEx e) suitable for cable diameters ranging from 10 mm to 14 mm
Operating temperature	-20°C to +55°C
Sealing gasket material	tongue and groove system with silicone seal
Cover screws	Stainless steel M4 threaded
For pipe mounting use	JB-SB-26
Installation and connection:	
Terminals	2 screw terminals
Terminal sizing	suitable for cables from 0.5 mm ² to 1.5 mm ²
Ordering details	
Part Description	MONI-PT100-4/20MA
PN	704058-000